

# Domekt R 250 F

Maximal air flow, m <sup>3</sup> /h	250
Panel thickness, mm	50
Unit weight, kg	40
Supply voltage, V	1~230
Maximal operating current, A	HE 6,1
Thermal efficiency of heat recovery, %	80
Reference flow rate, m <sup>3</sup> /s	0,049
Reference pressure difference, Pa	50
SPI, W/(m <sup>3</sup> /h)	0,47
Filters dimensions B×H×L, mm	278×258×46
Electric power input of the fan drive at reference flow rate, W	40
Electric power input of the fan drive at maximum flow rate, W	90
Electric air heater capacity, kW / Δt, °C	1/15,9
Control panel	C6.1 / C6.2
Maintenance space, mm	300



The photo is intended for informational purposes only. exact details may vary.



## Acoustic data

A-weighted sound power level  $L_{WA}$ , dB(A) at reference flow rate

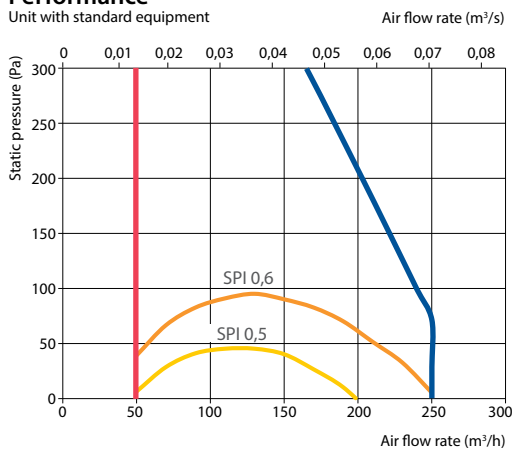
Supply inlet	61
Supply outlet	70
Exhaust inlet	61
Exhaust outlet	70
Casing	49

A-weighted sound pressure level  $L_{pA}$ , dB(A)

10 m<sup>2</sup> normally isolated room, distance from casing – 3 m.

Surroundings	38
--------------	----

## Performance

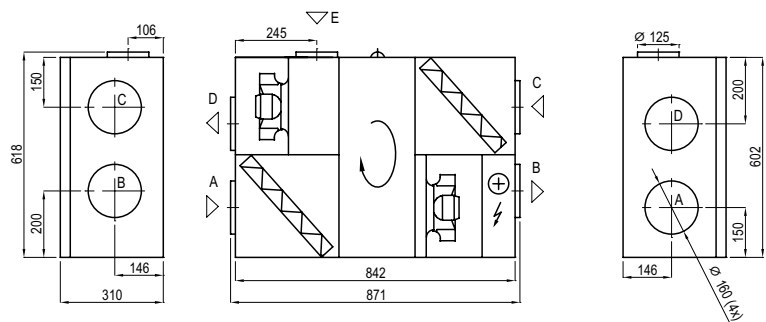


## Temperature efficiency

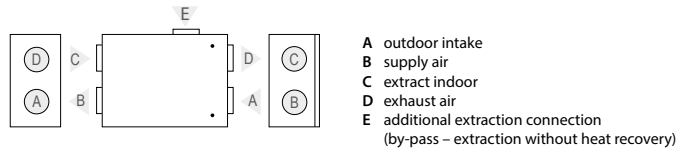
Outside temperature, °C	Winter					Summer		
	-23	-15	-10	-5	0	25	30	35
After heat exchanger, °C	10,7	12,7	14,0	15,2	16,5	22,8	24,0	25,3

indoor +22°C, 20 % RH

Shown as right (R2)



Shown as left (L2)



## Accessories (p. 120)

Closing damper	AGUJ-M-160+LF230/LM230	2-way valve (water heater)	VVP47.10-0,4
Silencer	A/D AGS-160-50-600-M	Water cooler	DCW-0,2-1 / DHCW-160
	B/C AGS-160-50-900-M	2-way valve (water cooler)	VVP47.10-1,6
Water heater	DH-160	DX cooler	DCF-0,2-1
PPU	PPU-HW-3R-15-0,4-W1		